

BALL VALVE

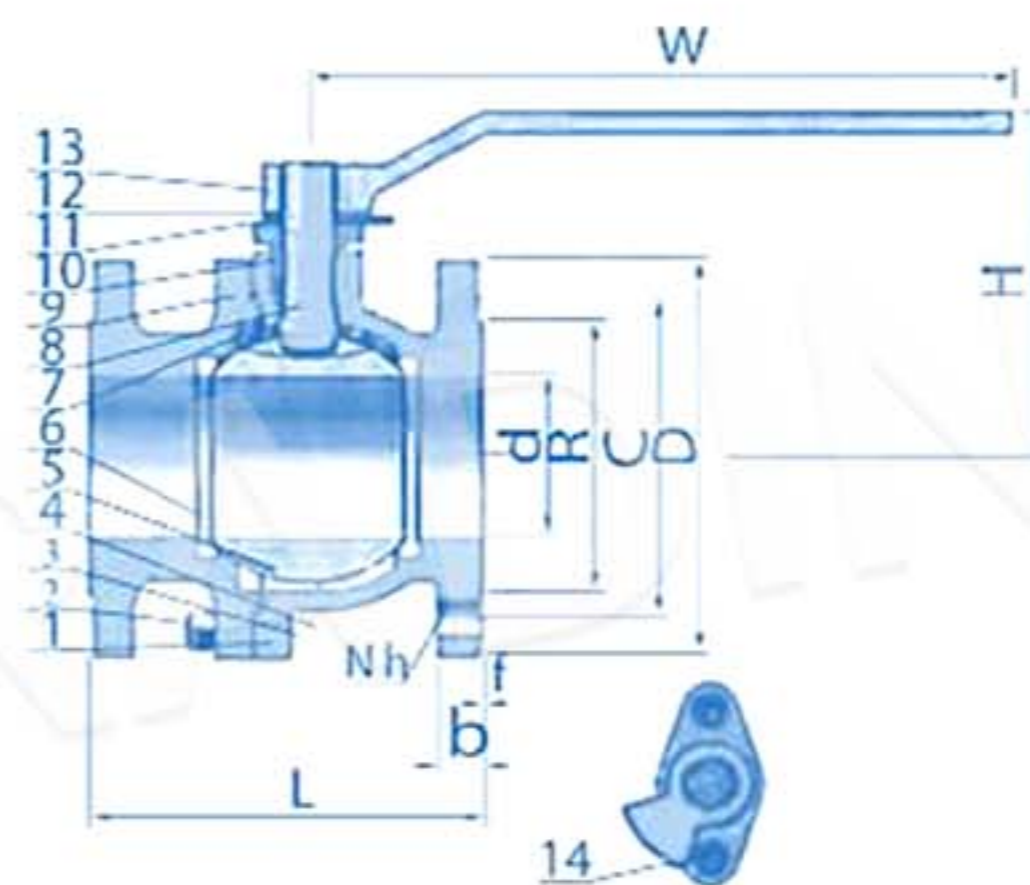


Model : BVF-JS, BVF-AS

2-PC STAINLESS STEEL BALL VALVE FLANGED ENDS

FEATURE AND APPLICATION

- ◆ Inspection & test according to API 598
- ◆ 2-Piece and Floating Ball Design by Full Port.
- ◆ Blow-out proof stem
- ◆ Applicable Medium : Water, Oil, Gas, Steam, Chemical.
- ◆ Flange End Connections : Jis 10K , ANSI 150
- ◆ Lever Handle Operation
- ◆ Max.Working Pressure : 200 PSI (13.8 Bar)
- ◆ Max.Working Temperature : -10°C To 180°C
- ◆ Size Range : 1.1/2" - 8"



Bill of Materials

Seqyebce	Description	Material	Sizes
1	Body	SUS 304	All
2	Bonnect	SUS 304	All
3	Nut	SUS 304	All
4	Bolting	SUS 304	All
5	Ball	SUS 304	All
6	Seat	PTFE	All
7	Gasket	PTFE	All
8	Stem	SUS 304	All
9	Stem Packing	PTFE	All
10	Glang Flange	SUS 304	All
11	Stop Collar	SUS 304	All
12	Circlip	SUS 304	All
13	Hand Lever	SUS 304	All
14	Glang Bolt	SUS 304	All

Dimensions

				mm		
				JIS 10K		
INCH	H	L	W	D	C	N
1-1/2"	97	165	200	140	105	4
2"	106	180	200	155	120	4
2-1/2"	141	190	320	175	140	4
3"	150	200	320	185	150	8
4"	183	230	450	210	175	8
5"	230	300	800	250	210	8
6"	250	340	800	280	240	8
8"	356	450	940	330	290	12

